

# Solid State ND:YAG Diode Pumped Pulsed Laser 1,06 nm / 1,57 nm ARCHIMED 45/10 OPO

### Description

Arhimed45/10OPO is a diode-pumped solid state ND:YAG pulsed laser with built-in eye-safe (1571nm) OPO converter that design for LIDAR application and have the lowest output power in a series Arhimed.

### Features

- Minimum boundary dimension
- Air cooling for power supply and laser head
- Handy and informative control panel
- Possibility to change physical and technical characteristics on request



### Applications

Spectroscopic and distance measuring complexes, different scientific and industrial systems, LIDAR

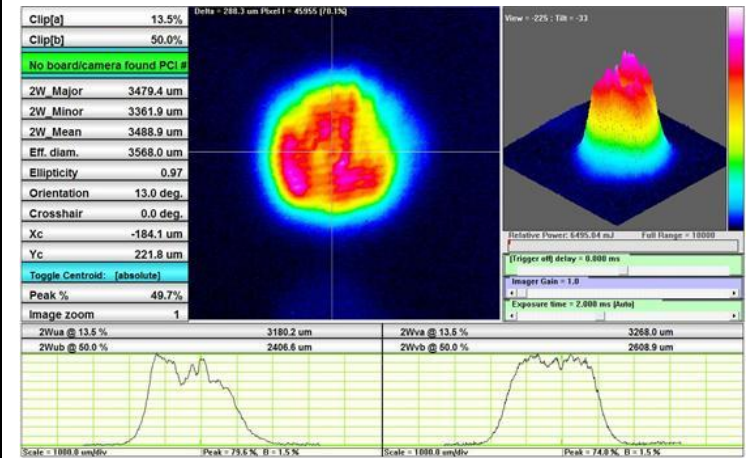
### SPECIFICATION\*

Wavelength (nm)	1064	1571
Pulse repetition rate (Hz)	1-20	1-20
Energy per pulse (mJ)	45	10
Beam divergence (mrad)	2.0	5,5
Shot-to-shot instability (%)	1.4	2,7
Power drift (%/hour)	1.2	1,8
Pulse duration (ns)	9-11	7-9
Time jitter rms (ns)	≤ 1	≤ 1
Beam diameter (mm)	≤ 3,0	≤ 3,0
Beam Profile	MM**	MM**
Polarization	100:1	100:1
Voltage (VAC)	90-220	
Current (A)	<5	
Frequency (Hz)	50-60	

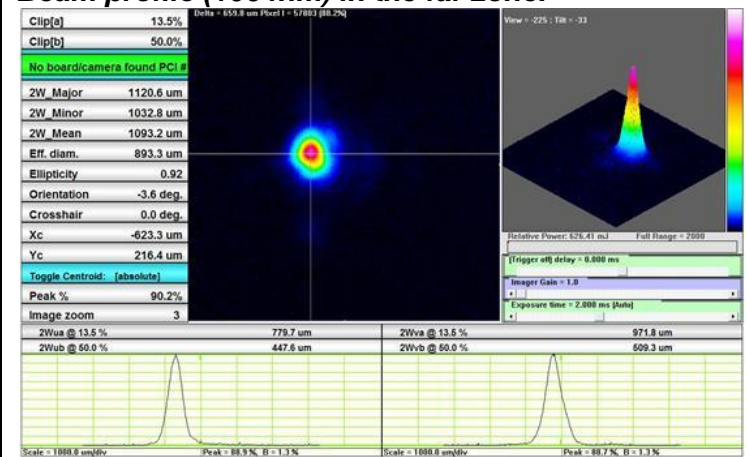
\*Specifications are based on room temperature 22±3°C.

\*\* MULTI MODE

### Beam profile (1064nm) in the near zone.



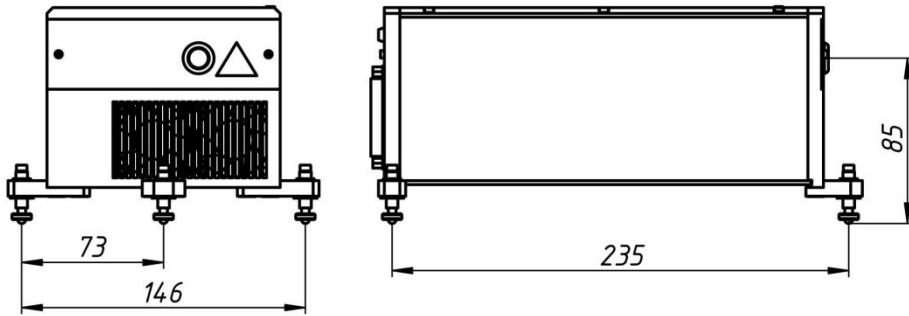
### Beam profile (1064nm) in the far zone.



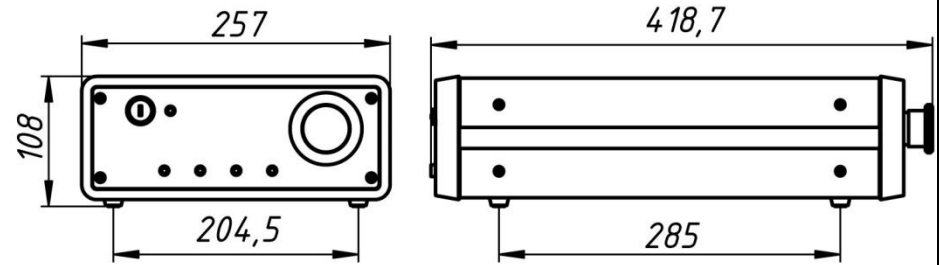
# ARCHIMED 45/10 OPO

## PHYSICAL CHARACTERISTICS.

Laser head. Weight 2.8 kg



Power Supply. Weight 5.8 kg



1, Chernyahovskogo Str, Minsk, Republic of Belarus

**Falcon**  
LASER SYSTEMS

Tel: + 375(17) 2620511  
Fax: + 375(17) 2620511  
E-mail: [FalconIs@mail.ru](mailto:FalconIs@mail.ru)  
[www.FalconIs.com](http://www.FalconIs.com)

This material is provided for informational purpose only. Subject to change without notice. All rights reserved.