

# Solid State ND:YAG Diode Pumped Pulsed Laser

## ARCHIMED45

### Description

Arhimed45 is a solid state ND:YAG pulsed laser diode-pumped and has the lowest output power in a series Arhimed.



### Features

- Minimum boundary dimension
- Air cooling for power supply and laser head
- Handy and informative control panel
- Interfaces USB, Ethernet

### Applications

Spectroscopic and distance measuring complexes, different scientific and industrial systems.

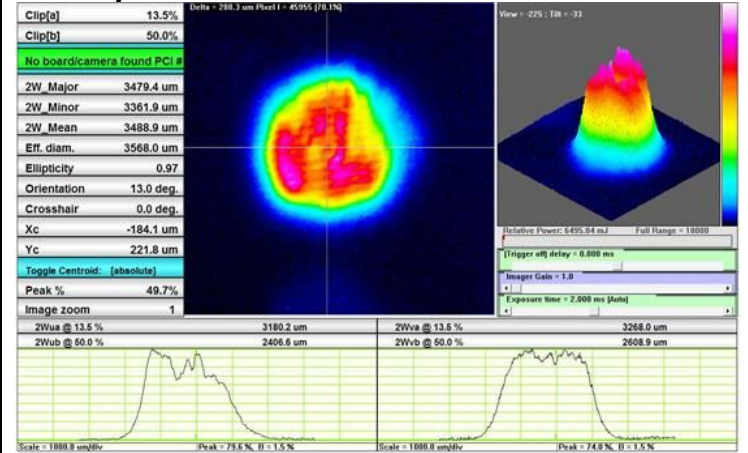
### SPECIFICATION\*

Wavelength (nm)	1064	532	355	266
Pulse repetition rate (Hz)	1-20			
Energy per pulse (mJ)	45	25	8	8
Beam divergence (mrad)	2.0			
Shot-to-shot instability (%)	1.4	1.8	2.4	3.0
Power drift (%/hour)	1.2	1.5	2.6	2.9
Pulse duration (ns)	9-11	8-10	11-12	11-12
Time jitter rms (ns)	≤ 1			
Beam diameter (mm)	≤ 3,0			
Beam Profile	MM**			
Polarization	100:1			
Power requirements:				
Voltage (VAC)	90-220			
Current (A)	≤ 5			
Frequency (Hz)	50-60			
Air cooling for power supply and laser head.				

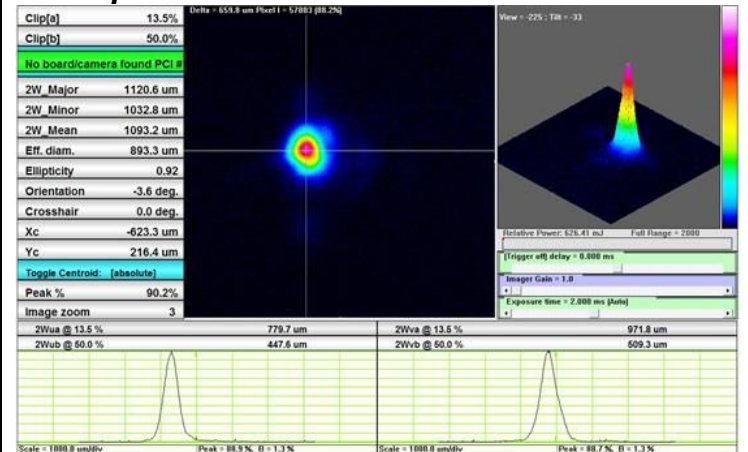
\* Parameters specifications are valid at room temperature 22 ± 3 ° C.

\*\* Multimode regime.

### Beam profile in the near zone.



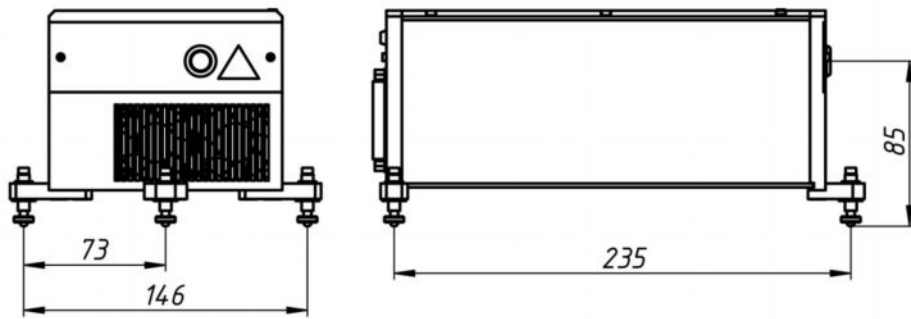
### Beam profile in the far zone.



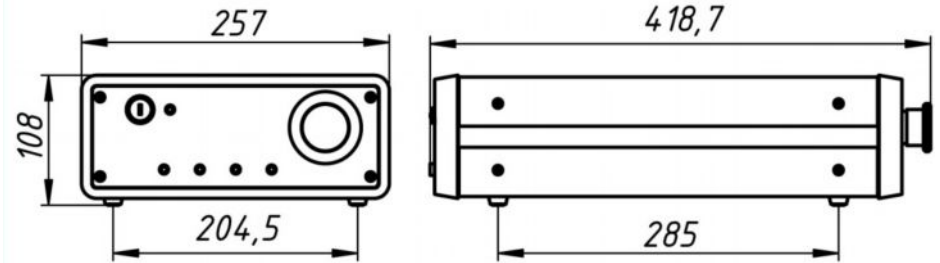
# ARCHIMED45

## PHYSICAL CHARACTERISTICS.

Laser head. Weight 2.8 kg



Power Supply. Weight 5.8 kg



tel. +375(17) 262 17 96  
tel./fax.: +375 (17) 262 05 11  
e-mail: [falconls@mail.ru](mailto:falconls@mail.ru)

Belarus, Minsk  
Chernyahovskogo 1  
[www.falconls.com](http://www.falconls.com)

This material is provided for informational purpose only.  
Subject to change without notice.  
All rights reserved