

ARCHIMED150

Description

Arhimed150 is a solid state ND:YAG pulsed laser diode-pumped and has the highest output power in a series Arhimed.

Features

- Maximum output power in a series
- Air cooling
- Handy and informative control panel
- Interfaces: USB, Ethernet



Applications

Spectroscopic and distance measuring complexes, different scientific and industrial systems, LIDAR.

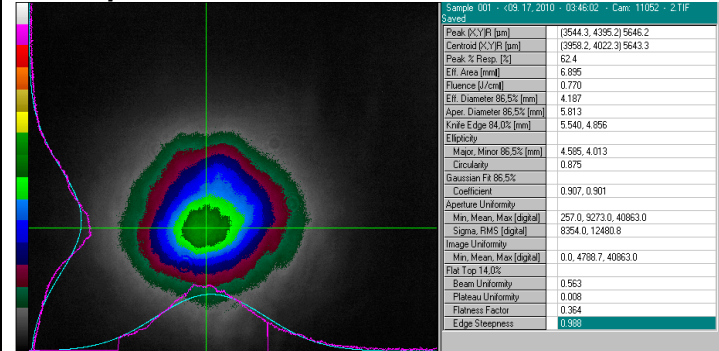
SPECIFICATION*

Wavelength (nm)	1064	532	355
Pulse repetition rate (Hz)	1-25		
Energy per pulse (mJ)	150	90	25
Beam divergence (mrad)	<1,2		
Shot-to-shot instability (%)	1.4	1.8	2.8
Power drift (%/hour)	1.5	1.9	3.0
Pulse duration (ns)	9-11	8-10	7-9
Time jitter rms (ns)	≤ 1		
Beam diameter (mm)	≤ 5,0		
Beam Profile	MM**		
Polarization	100:1		
Power requirements:			
Voltage (VAC)	90-220		
Current (A)	≤5		
Frequency (Hz)	50-60		
Air cooling for power supply and laser head.			

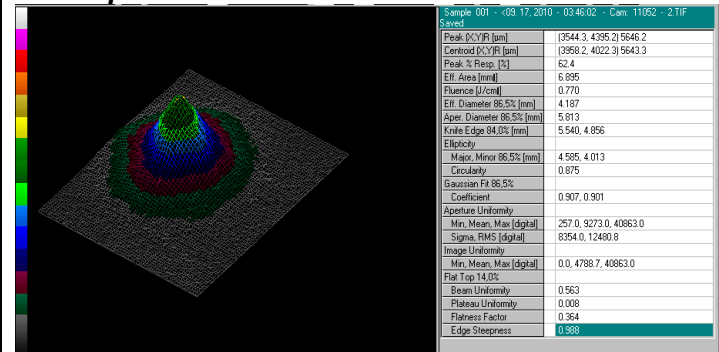
* Parameters specifications are valid at room temperature 15- 35 ° C.

** Multimode regime.

Beam profile 2D.



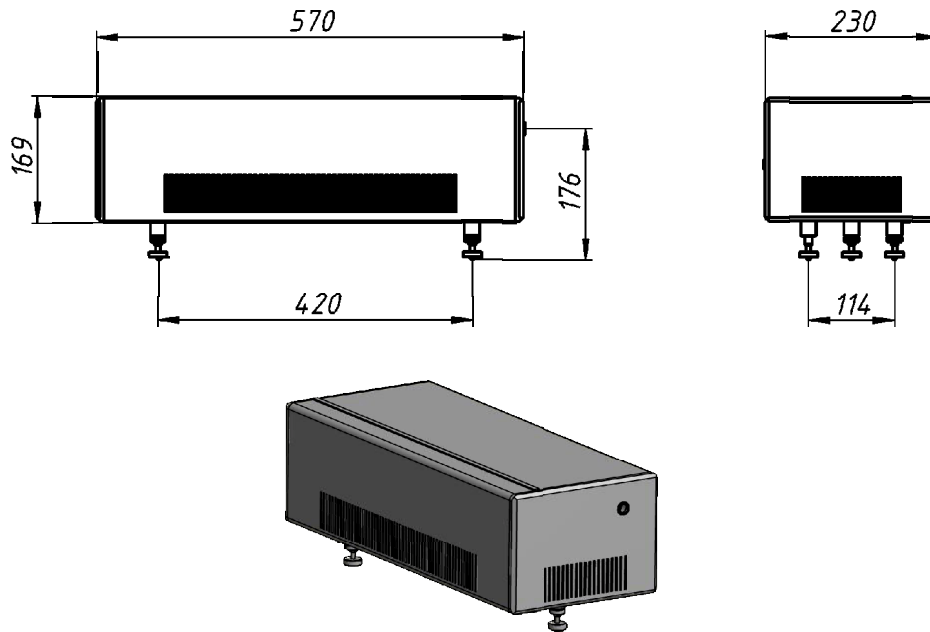
Beam profile 3D.



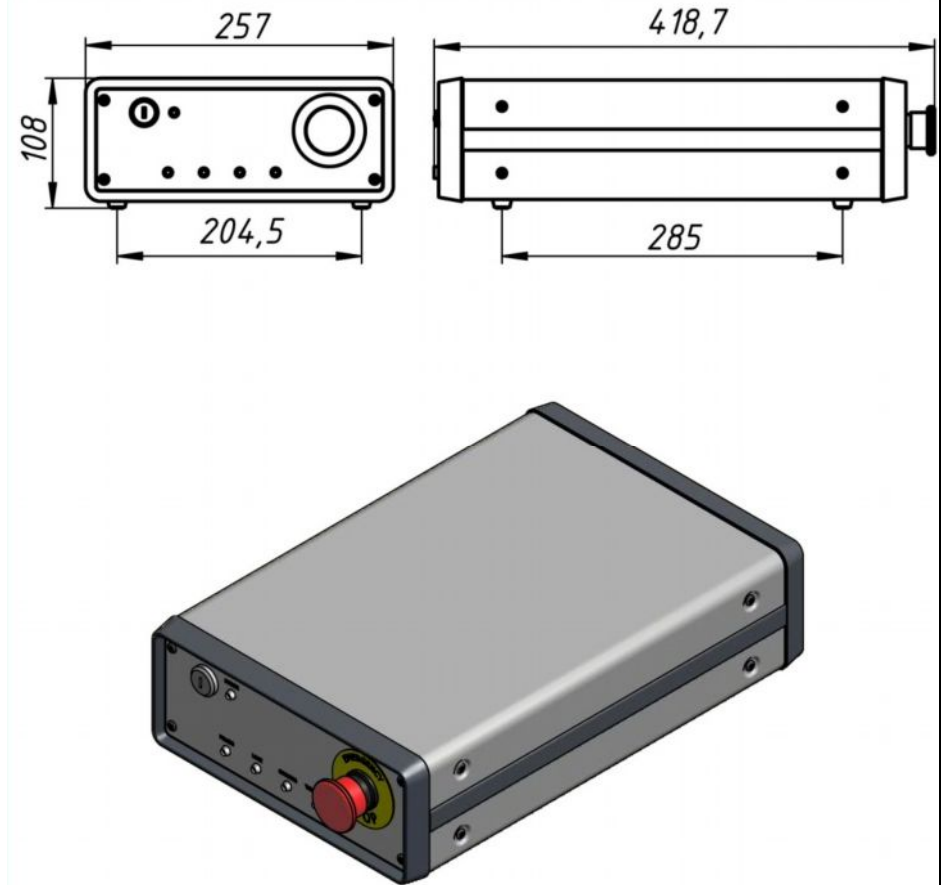
ARCHIMED150

PHYSICAL CHARACTERISTICS.

Laser head. Weight 7.2 kg



Power Supply. Weight 5.8 kg



tel. +375(17) 262 17 96
 tel./fax.: +375 (17) 262 05 11
 e-mail: falconls@mail.ru

Belarus, Minsk
 Chernyahovskogo 1
www.falconls.com

*This material is provided for informational purpose only.
 Subject to change without notice.
 All rights reserved*